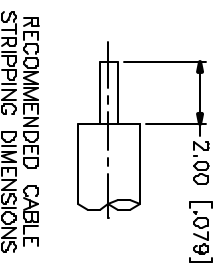
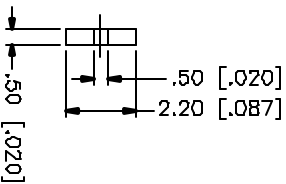
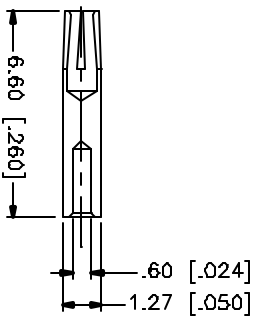
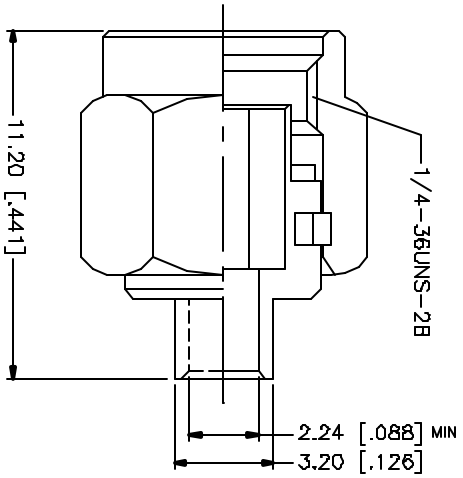


REV.	DATE	DESCRIPTION
NC	05/16/05	INITIAL RELEASE



REV.	DATE	DESCRIPTION	MATERIAL	FINISH	QTY
8					
7					
6					
5					
4			SILICONE	RED	1
3			BRASS	GOLD	1
2			TEFLON	NATURAL	1
1			BRASS	GOLD	1
DESCRIPTION					

UNLESS OTHERWISE SPECIFIED, DIMENSIONS ARE IN MILLIMETERS. DIMENSIONS IN [] ARE IN INCHES AND FOR DIMENSION REFERENCE ONLY.	
UNLESS OTHERWISE SPECIFIED, DIMENSIONS FOR MILLIMETERS ARE:	
0.5 - 8mm ± 0.20mm	
8 - 30mm ± 0.40mm	
30 - 120mm ± 0.50mm	
UNLESS OTHERWISE SPECIFIED, DIMENSIONS FOR INCHES ARE:	
.020 - .315 ± 0.007"	
.315 - 1.180 ± 0.016"	
1.180 - 4.724 ± 0.020"	
DO NOT SCALE DRAWING	

APPROVALS	DATE
DRAWN G.R.S.	05/16/05
CHECKED	
DESIGNED	
SHEET 1 OF 1	

CAD FILE C:/132/132101RP.DWG	DWG NO. 132101RP.DWG	REV. NC	SIZE A	SCALE NA
------------------------------	----------------------	---------	--------	----------

Amphenol Connex PART DESCRIPTION SMA REVERSE POLARITY SEMI-RIGID PLUG (FOR .085" , .086" CABLE) 132101RP	
---	--